

Single Handle Lavatory Faucet 415AH Series

Feature:

- Metal lever handle
- Single-hole installation options
- Drip-free Ceramic cartridge
- 1.2 gallons per minute Max at 60 psi
- Solid brass waterway



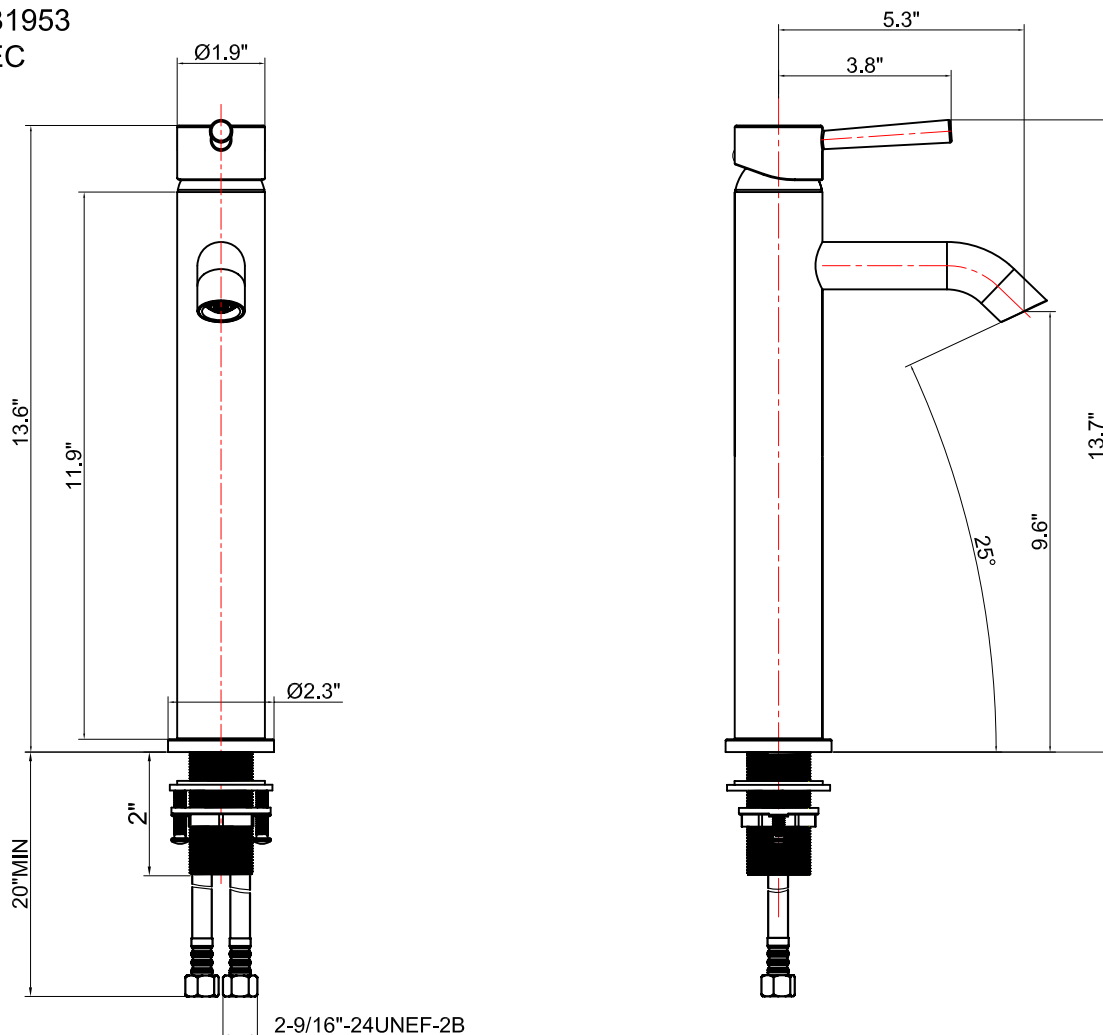
Codes/Standards Applicable:

Complies with:

- NSF 61-9
- ANSI/ASME A112.18.1
- CSA B125-1
- IAPMO/UPC/CUPC
- AB1953
- CEC

Model No./Colors/Finishes:

- 415AH-CP Polished Chrome
- 415AH-BN Brush Nickel PVD
- 415AH-NB Nobel Bronze
- 415AH-ORB Oil Rubbed Bronze
- 415AH-PB Polished Brass PVD



Product Diagram