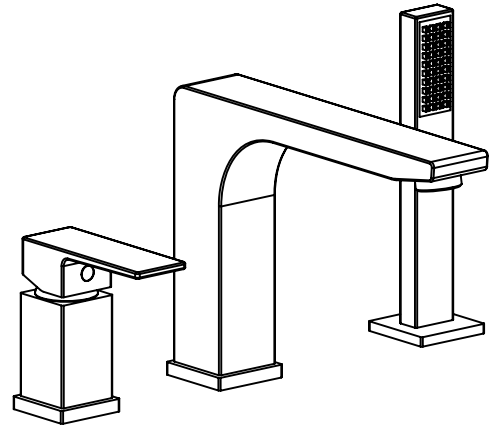


Roman Tub Faucet 600S Series

Feature:

- Single Metal lever handle
- Three-piece Roman Tub faucet with transfer valve
- Solid brass waterway
- Ceramic cartridge



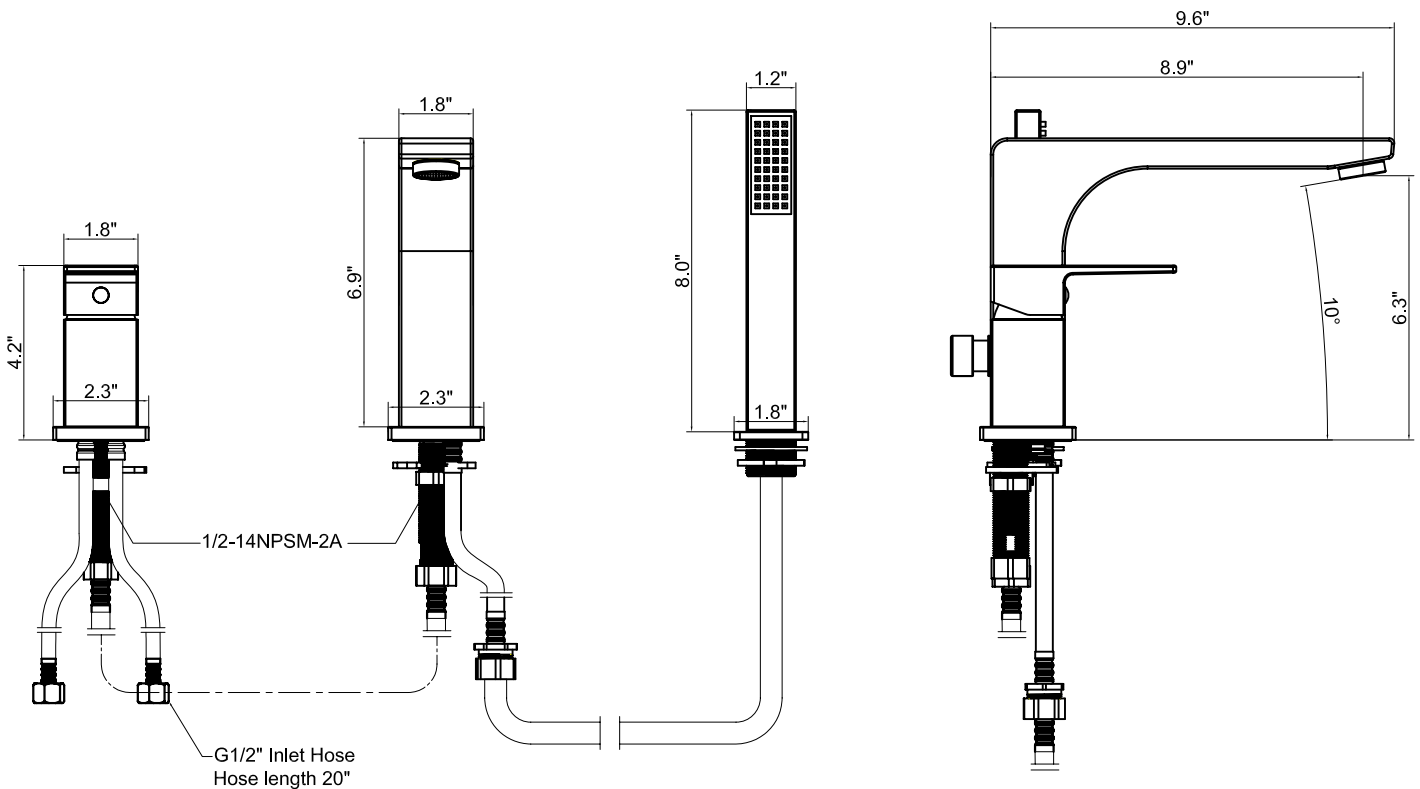
Codes/Standards Applicable:

Complies with:

- ANSI/ASME A112.18.1
- CSA B125-1
- IAPMO/UPC/CUPC

Model No./Colors/Finishes:

- 600S-CP Polished Chrome
- 600S-BN Brush Nickel PVD
- 600S-NB Nobel Bronze
- 600S-ORB Oil Rubbed Bronze
- 600S-PB Polished Brass PVD



Product Diagram