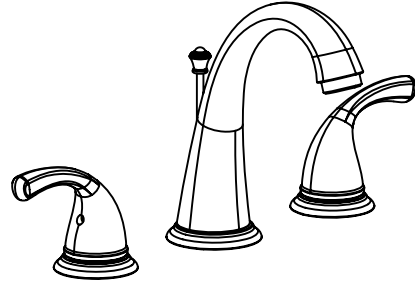


Two handle widespread bathroom faucet 429C Series

Feature:

- Metal lever handle
- Three-hole installation options
- Drip-free Ceramic cartridge
- 1.2 gallons per minute Max at 60 psi
- Solid brass waterway
- With Brass pop-up drain



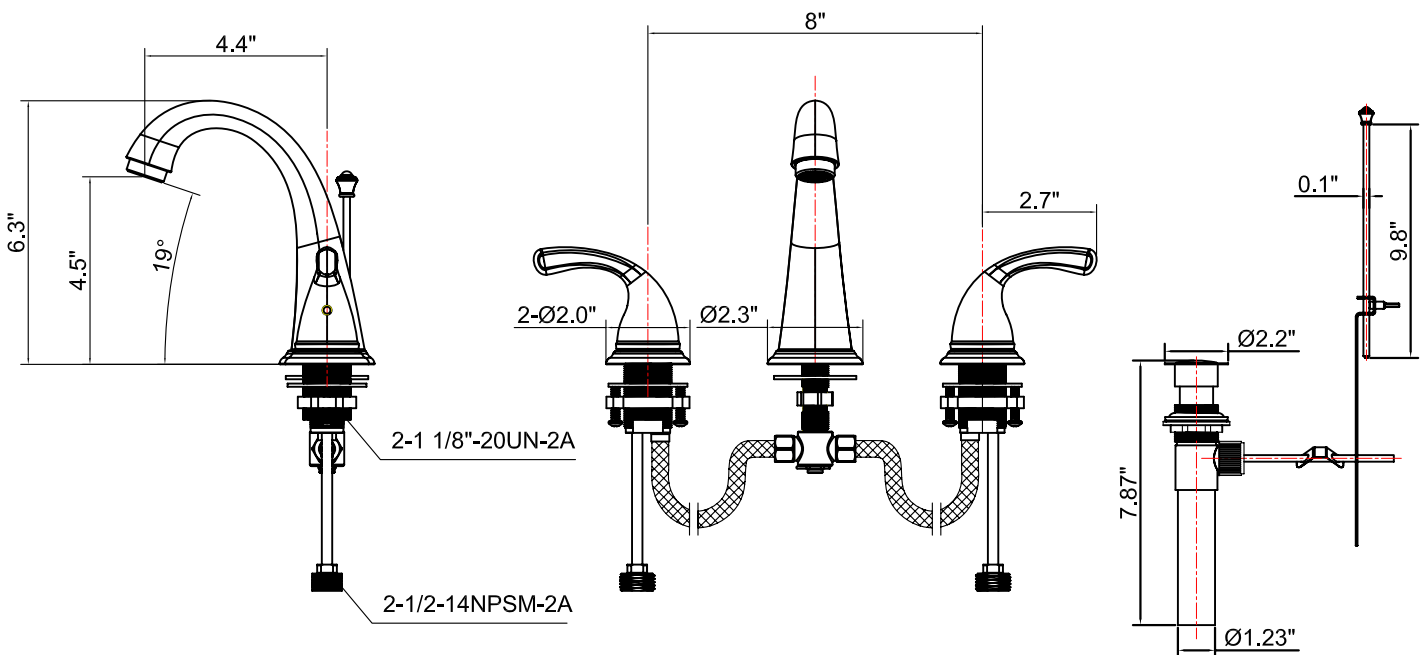
Codes/Standards Applicable:

Complies with:

- NSF 61-9
- ANSI/ASME A112.18.1
- CSA B125-1
- IAPMO/UPC/CUPC
- AB1953
- CEC

Model No./Colors/Finishes:

- 429C-CP Polished Chrome
- 429C-BN Brush Nickel PVD
- 429C-NB Nobel Bronze
- 429C-ORB Oil Rubbed Bronze
- 429C-PB Polished Brass PVD



Product Diagram