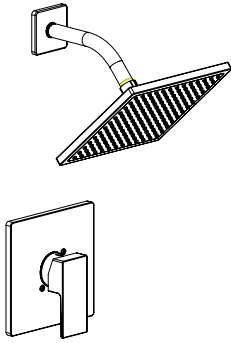


# INSTRUCTION

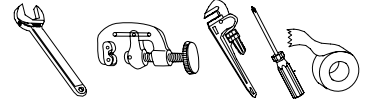


Single Handle Tub & Shower Faucet  
With Stop Valve  
Model NO.: 128F-CP  
128F-BN

## Tools:

Require:

- Adjustable wrench
- Tube Cutter
- Pipe wrench
- Pipe tape
- Phillips screwdriver



## Maintenance

Your new tub&shower faucet trim is designed for years of trouble-free performance. Keep it looking new by cleaning it periodically with a soft cloth. Avoid abrasive cleaners, steel wool and harsh chemicals as these will dull the finish and void your warranty.

## Preparation / Assembly

- Recommended component locations:(see Fig. 1)  
Recommended depth for valve body in wall is 3-5/8"  
(3-2/5" MIN-3-7/8" MAX).  
1A. Shower and outlet hole:1-1/4" diameter.  
1B. Valve access hole:6" diameter.

## Assembly

- Position valve body correctly in wall (see Fig. 2 ).  
UP marking is on up side and DOWN marking on down side.
  - Connect water supplies to left (hot) and right (cold) valve body inlets. Thread sealant may be required depending on your installation method. All thread sealants may be found at your local hardware store.
  - Turn on hot and cold water supply lines.  
Note: Pressure must be approximately equal on both hot and cold sides for valves to function properly.
  - Rotate stem to allow water to flow from shower tub before installing shower head until there is no foreign matter in discharge.

H - hot water supply  
C - cold water supply  
Up - shower outlet

## Pressure testing

- Install a 1/2" iron pipe plug (not included) on both shower outlets.  
Turn stem to full " ON " and check all connections for leaks.
- Turn stem to " OFF ".

- Caution: Slowly remove pipe plugs from shower outlets.
  - Remove the Tub&Shower plastic cap and cut the extension, the length will be 0.6"-0.65" .(see Fig. 3 ) .
  - Install Escutcheon and Handle assembly .

- Install shower assembly(see Fig. 5).

For BACK TO BACK or REVERSE installations only (HOT on RIGHT and COLD on LEFT), follow instructions below. (see Fig. 6)  
**WARNING: FAILURE TO FOLLOW THESE INSTRUCTIONS COULD PREVENT THE VALVE FROM FUNCTIONING PROPERLY.**

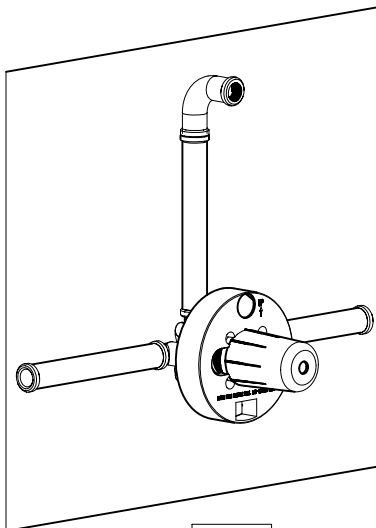


Fig .1

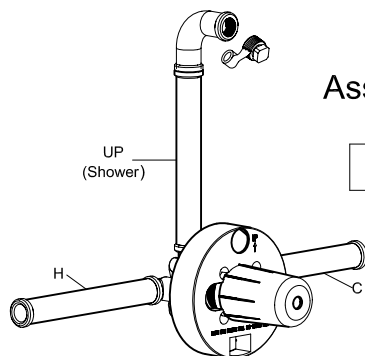


Fig .2

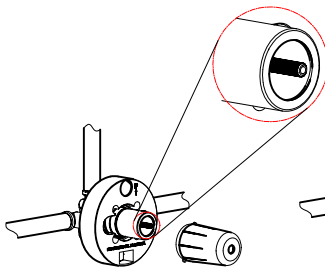


Fig .3

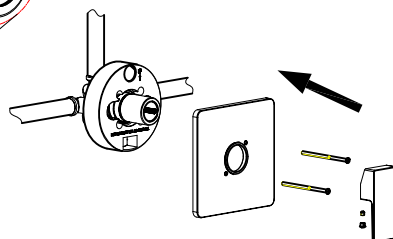


Fig .4

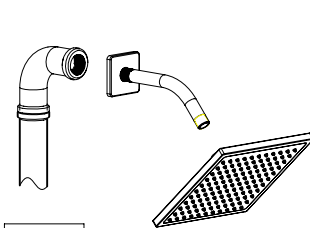


Fig .5

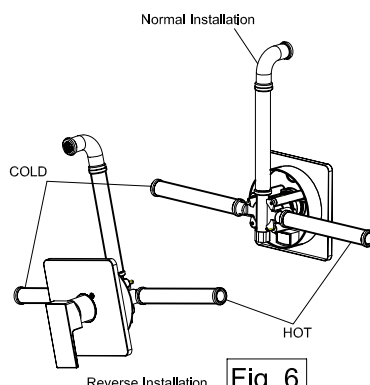


Fig .6

Exploded Drawing  
RP(Replacement Parts)

Model NO.: 128F-CP  
128F-BN

